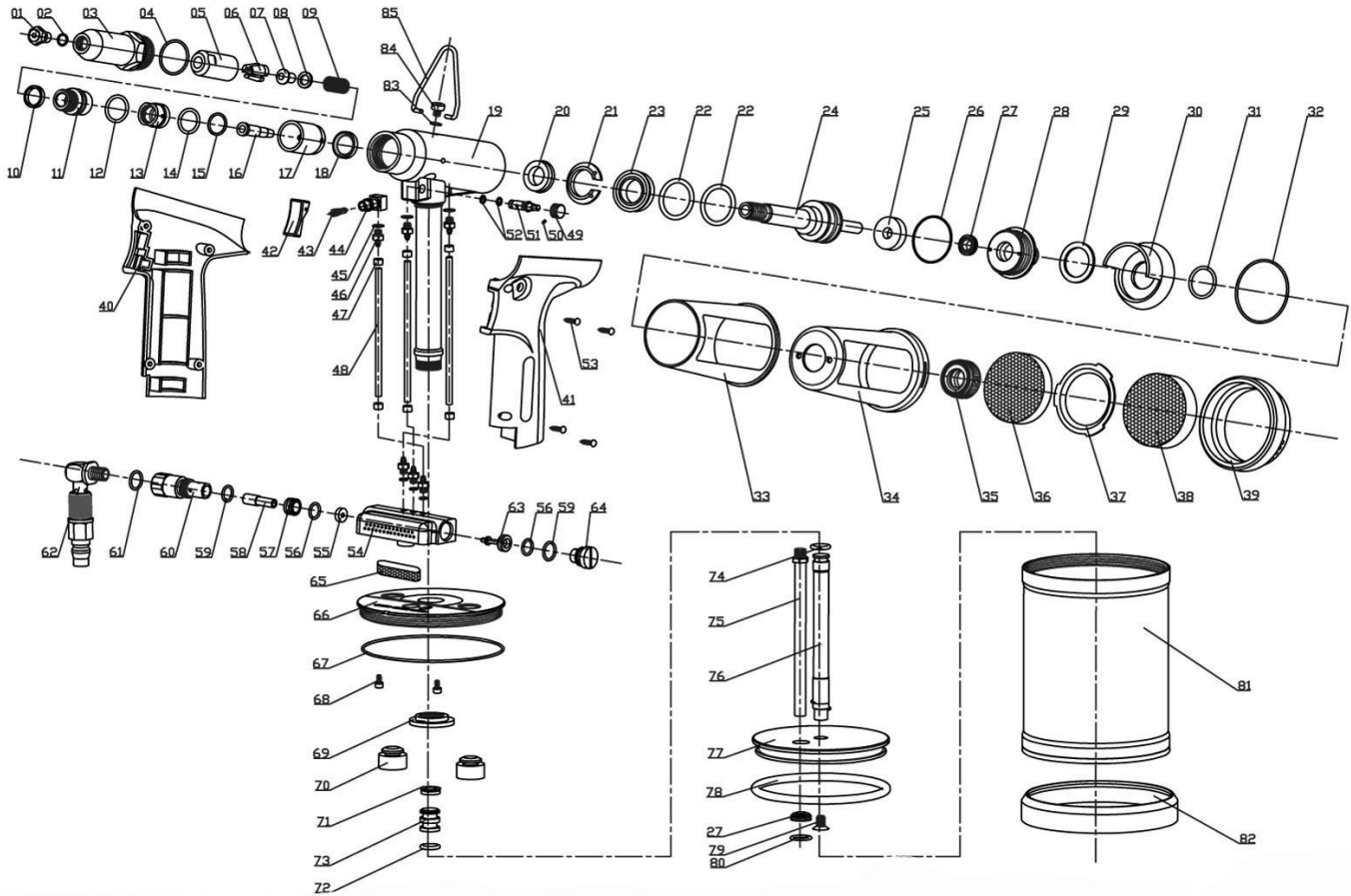


MP-4V (39048) Breakdown



Part Number	AFS Part No.	Description
1	M95300	5/32" Nosepiece
1	M95301	3/16" Nosepiece
1	M95302	1/4" Nosepiece (Standard)
1	M95303	1/4" Nosepiece(Monobolt)
2	M95304	O-Ring (meas.9x1)
3	M95305	Nosepiece casing
4	M95306	O-Ring (meas.22x2)
5	M95307	Jaw housing
6	M95308	Jaws (3pcs)
7	M95309	Pusher
8	M95310	Washer
9	M95311	Jaw pusher spring
10	M95312	Lock ring
11	M95313	Housing
12	M95314	Polyurethane ring (meas. 16x2)
13	M95315	Set nut
14	M95316	Polyurethane ring (meas. 14.3x2)

Part Number	AFS Part No.	Description
15	M95317	O-Ring (meas. 13x16x1.5)
16	M95318	Vacuum sleeve
17	M95319	Seal plastic housing
18	M95320	Sealing ring (meas.2 5x13.5x3.5)
19	M95321	Head assembly
20	M95322	Lip Seal (meas.14x11x6.3)
21	M95323	O-Ring 48
22	M95324	O-Ring (meas. 26.7x3 26x1.78)
23	M95325	Lip Seal (22x30x6)
24	M95326	Axis
25	M95327	Buffer
26	M95328	O-Ring (meas.35x1.5)
27	M95329	EL(meas. 8x14x5)
28	M95330	End cap
29	M95331	Plastic ring (3 3x21x1.8)
30	M95332	Stem collector adaptor
31	M95333	O-Ring (meas.24x2)
32	M95334	O-Ring (meas.47x1.5)
33	M95335	Stem collector outer
34	M95336	Stem Collector body
35	M95337	Retaining nut
36	M95338	Silencer
37	M95339	Stem collector end cap
38	M95340	Silence
39	M95341	Silencer cap
40	M95342	Handle (left)
41	M95343	Handle (right)
42	M95344	Trigger
43	M95345	Trigger valve
44	M95346	On/Off base
45	M95347	O-Ring (meas.6x1)
46	M95348	Air interface
47	M95349	Tie ring
48	M95350	Air tube
49	M95351	Regulator button
50	M95352	Retaining screw (meas.3x3)
51	M95353	Vacuum valve
52	M95354	O-Ring (meas. 4x6x1)
53	M95355	Tapping screw (meas.3x10)

54	M95356	Air valve body
55	M95357	Air valve ring
56	M95358	O-Ring (meas. 9.5x12.5x1.5)
57	M95359	Air valve base
58	M95360	Subordinate tube
59	M95361	O-Ring (meas. 11.5x14.5x1.5)
60	M95362	Connecting base
61	M95363	O-Ring (meas.14x2.4)
62	M95364	On/Off assembly
63	M95365	Valve rod
64	M95366	Screw plug
65	M95367	Silencer
66	M95368	Cylinder cover
67	M95369	O-Ring (meas. 74.6x85.5x2)
68	M95370	Bolt
69	M95371	Rock nut
70	M95372	Buffer
71	M95373	Lip Seal (meas.14.6x2.4)
72	M95374	O-Ring
73	M95375	Air tube piston
74	M95376	Piston ring
75	M95377	Transfer tube
76	M95378	Piston rod
77	M95379	Cylinder piston
78	M95380	O-Ring (meas.89.6x101x5.7)
79	M95381	Bolt
80	M95382	Circlip
81	M95383	Cylinder
82	M95384	Base cover
83	M95385	BS (meas. 5.7x10x1)
84	M95386	Seal screw
85	M95387	Hook

IF further maintenance is beyond the scope of this direction sheet and the tool fails to function properly, contact the factory or return it to the factory for service. Contact our Tool Repair Center at 317-704-8874 for further information.